

# ASSEMBLY INSTRUCTIONS

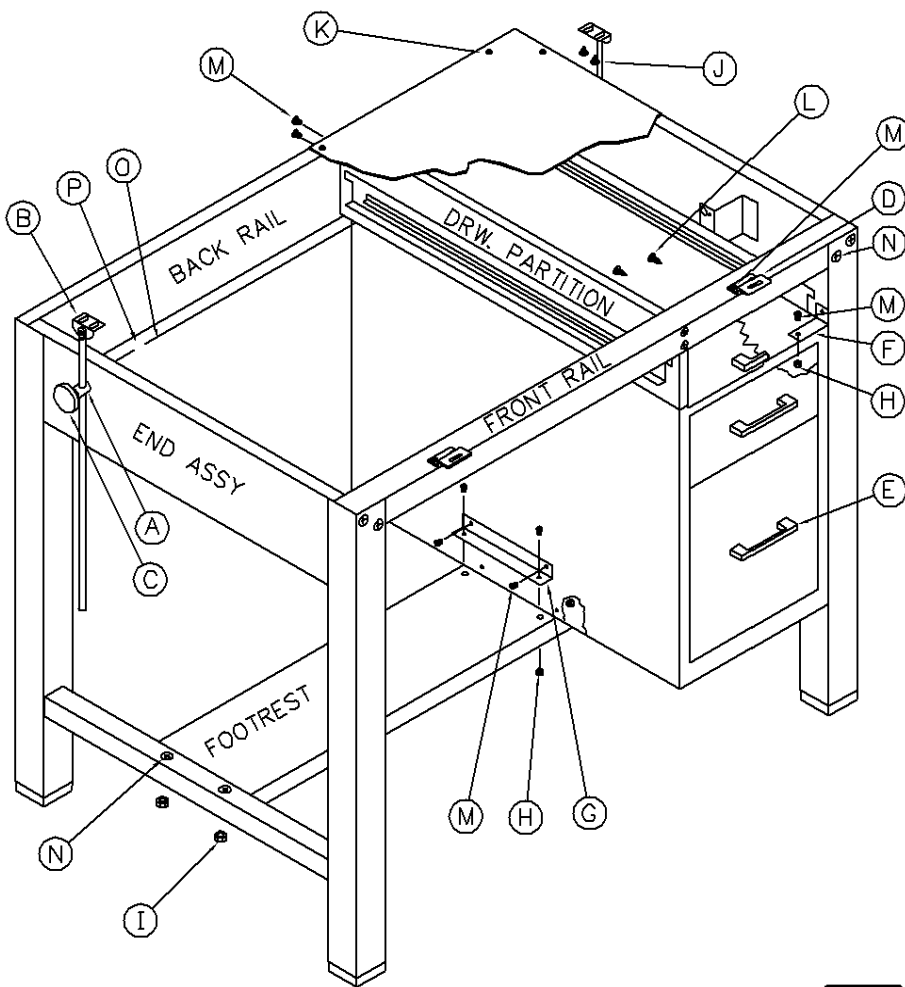
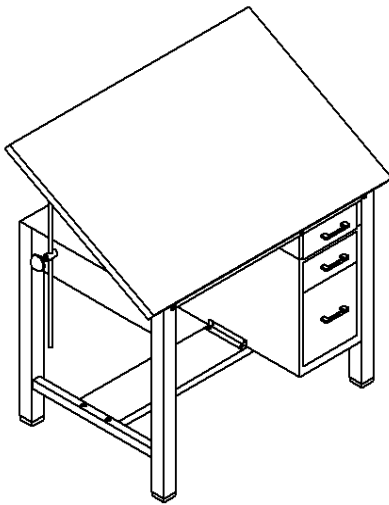
## for RANGER STEEL 4-POST TABLES

**\* NOTE:**

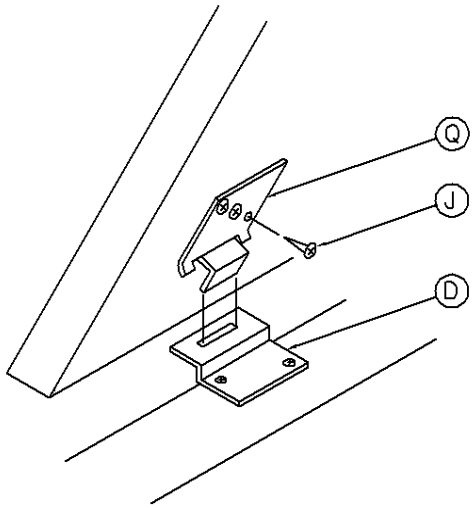
The quantities of these components may vary with table options.

**COMPONENT PARTS LIST**

- A. Tilt Rod Guide (2)
- B. Tilt Rod Bracket Assy (2)
- C. Knob (2)
- D. Lower Hinge (2)
- \* E. Drawer Pull (0-3)
- \* F. Upper Bracket (0-1)
- \* G. Lower Bracket (0-1)
- \* H. #10-24 Nut (4-8)
- I. 1/4-28 Nut (12)
- J. #10 X 3/4" Screw (10)
- K. #8 X 5/8" Screw (11)
- \* L. #10 X 1-1/4" Screw (0-6)
- \* M. #10-24 X 3/8" Bolt (4-8)
- N. 1/4-28 X 3/8" Bolt (12)
- O. 5/16-18 X 1/2" Bolt (2)
- P. Washer (2)
- Q. Upper Hinge (2)



1. With end assemblies upside down, attach back rail and front rail with holes facing down, to end assembly using bolts (N) and nuts (I).
2. Assemble footrest to end assembly using bolts (N) and nuts (I). Turn table upright.
3. Attach lower hinges (D) using bolts (M) and nuts (H).
4. Fasten tilt rod guide (A) to each end assembly using washer (P) and bolt (O). Do not tighten completely.
5. Insert tilt rod bracket assembly (B) through hole in tilt rod guide, tighten in place with plastic knob (C).
6. Assemble drawer partition (optional) to front and back rail using bolts (M) and nuts (H). Attach handles to drawers and install drawers in base.
7. Align holes in dust cover and fasten using #8 X 5/8" screws (K).
8. Attach Aux. Unit (optional) with upper bracket (F) and lower bracket (G) using



1. Align holes in Upper Hinge (Q) with holes in underside of Top. Attach Upper Hinge to Top using #10 x 3/4 screws (J).
2. Hold Top in vertical position, insert ears of Upper Hinge (Q) into slots of Lower Hinge (D). Lower Top to a horizontal position.
3. Attach Tilt Rods (B) to Top using #10 x 3/4 screws (J).

